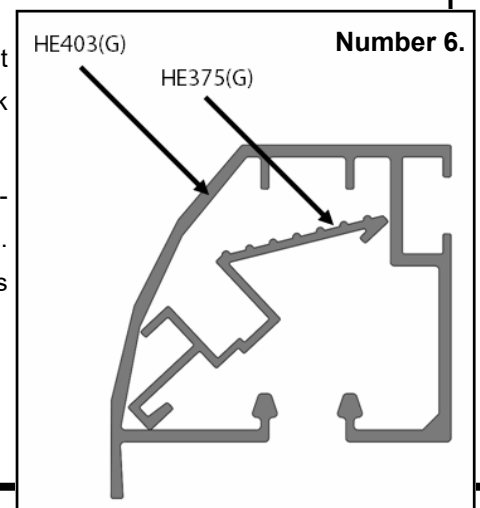


Base Sizes, Information & Updates

ISSUE: 11

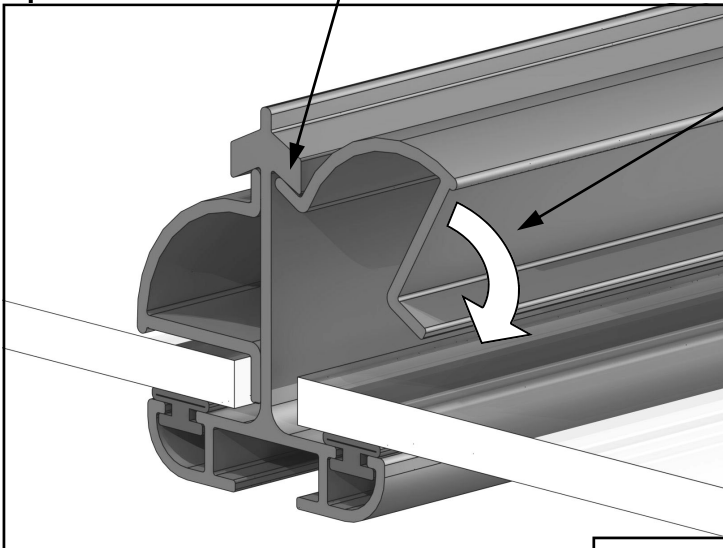
FREQUENT QUESTIONS AND QUERIES AND TROUBLE SHOOTING

1. **PART NUMBERS** - You may find that the door top and bottom don't match up with the instruction book. This is because of a error in manufacturing. The parts are correct but the number punch was set up incorrectly. This has now been corrected.
2. **PART NUMBERS** - The door stile with the lock assembly is punched 717 instead of 377.
3. **PART NUMBERS** - the stronger 438 replaces 437.
4. **PART NUMBERS** - parts 507 and 508 are now the same part at 252mm in length.
5. **CHECKING OF PARTS** - please note that some of the smaller components (namely for the door/s and vent/s), for example 575, 578, 709, etc, are pre-attached to their adjoining larger component to save you the job and to ensure that they are always present.
6. **CHECKING OF PARTS** - The Door Runner - HE375(G) is often reported missing, this can be found inside the Door Track - HE403(G)
7. **BAR CAPPING GENERAL** - Do not tighten the bolts up fully until just before you put on the nut caps at the end of construction. Keeping the frame loose will help when inserting the bar capping allowing the building to expand slightly. In order to keep the glass central to its aperture during glazing it is a good idea to start off the capping on both sides. go 8" up each side and then choose one side to go all the way to the top.
8. **BAR CAPPING UNDER VENTS** - When you are glazing the roof you will need to cut the bar capping around the vent. The best tool for the job is a hacksaw. The capping can be cut down to just below the slam bar so that the vent can close down fully.
9. **BAR CAPPING AROUND LOUVRES** - Bar capping can go down each side of a louvre but it is a very tight fit. It is far easier to cut the capping so that it only goes on the glass above and below the louvre and not down the louvre side where it serves no purpose.
10. **DOOR EDGING STRIP** - Often the black plastic door edging strips '558' need a few mm's trimming off them especially in the lower half of the door to ensure a perfect fit, use a hack-saw!
11. **AUTOVENT ATTACHMENT** - When clamping on your autovent attach the vent clamp first and then apply the second larger clamp to the slam bar. Sometimes the middle set of holes of the lower bracket leads to a better fit. Try to get the autovent to follow as closely as possible the pitch of the roof.
12. **GLASS SEPERATORS LOCATION** - Please be aware that some 'glass separators' are often located within your black rain water collection pipes.
13. **PURLINGS** - The horizontal purlings / braces in your greenhouse gables (front / rear) can be fitted in either orientation. This is sometimes helpful when joining the sides to the gables where the purlings can get in the way of the bolt slots.



Glazing with Bar Capping

Locate the top edge of the capping under the arrow head of the glazing bar.

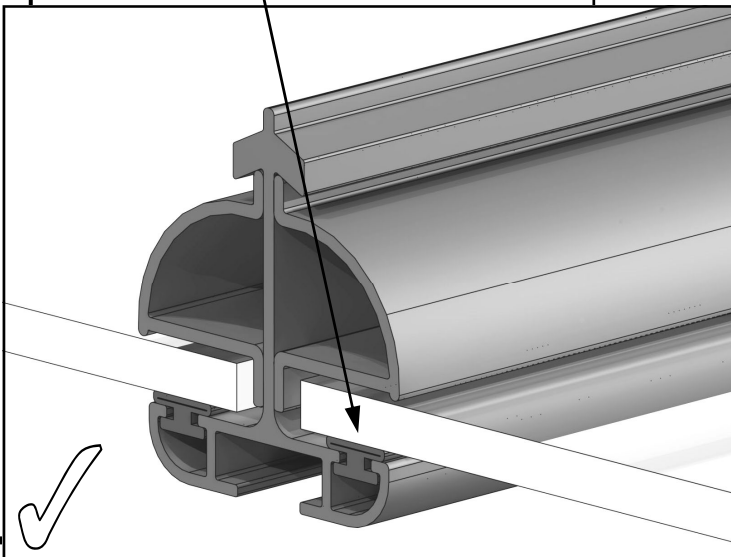
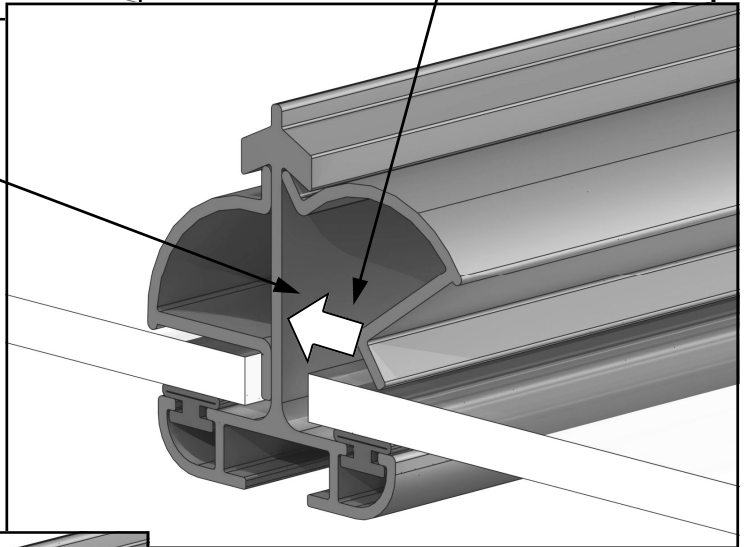


Roll the body of the capping around until the bottom edge of the capping touches the glass.

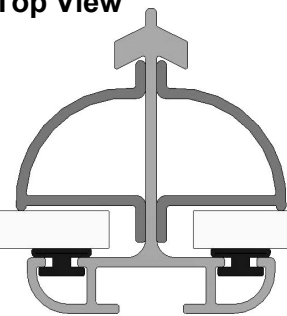
Then push the capping across the face of the glass towards the upright of the glazing bar.

Use the required force to push the capping in place. The capping will flex and snap into position.

The glazing rubber will compress slightly when the capping is pushed in place to give a good seal.

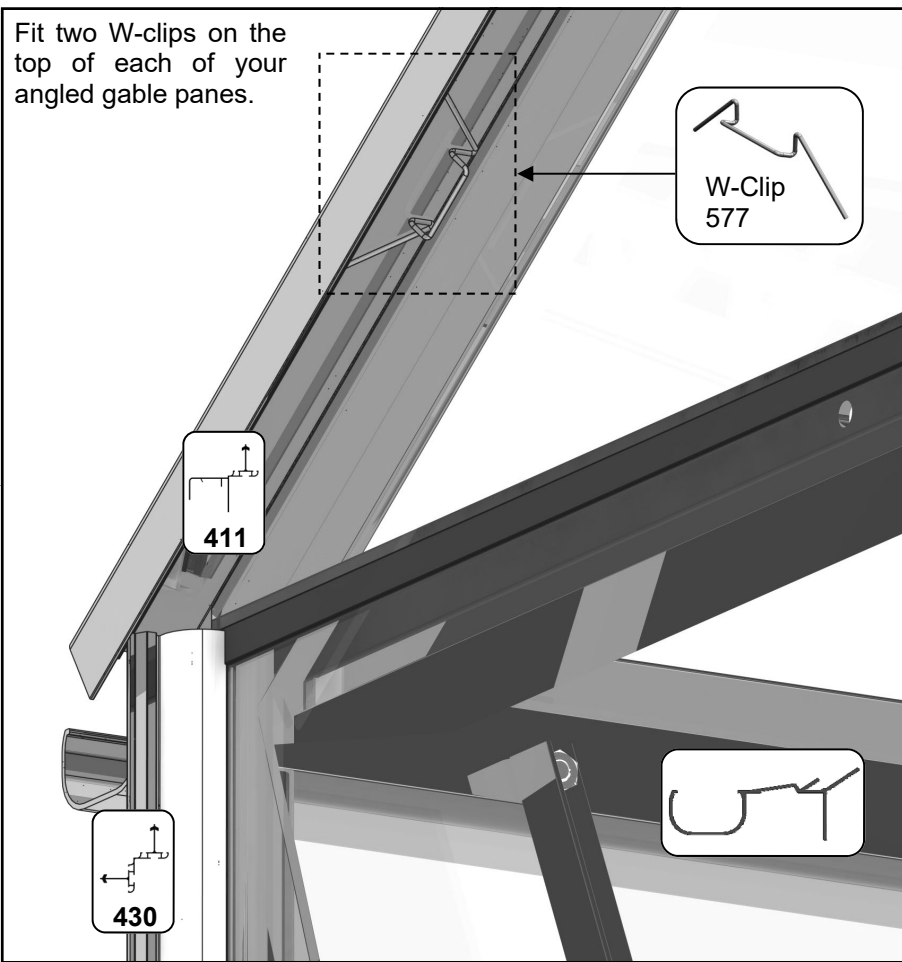
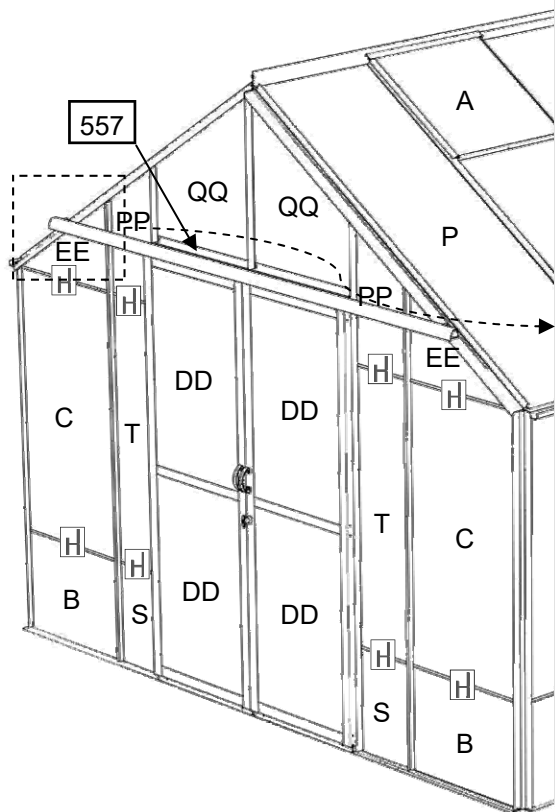


 Top View



'W' Clip fitting

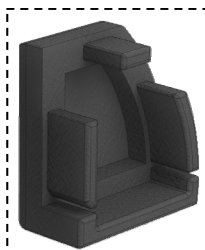
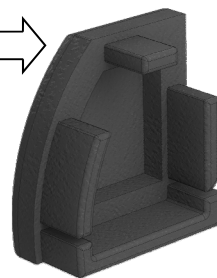
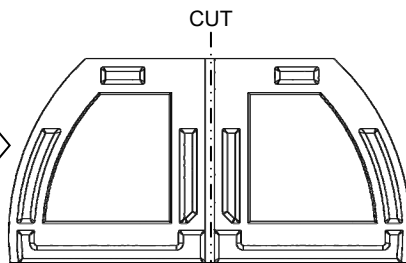
Fit two W-clips on the top of each of your angled gable panes.



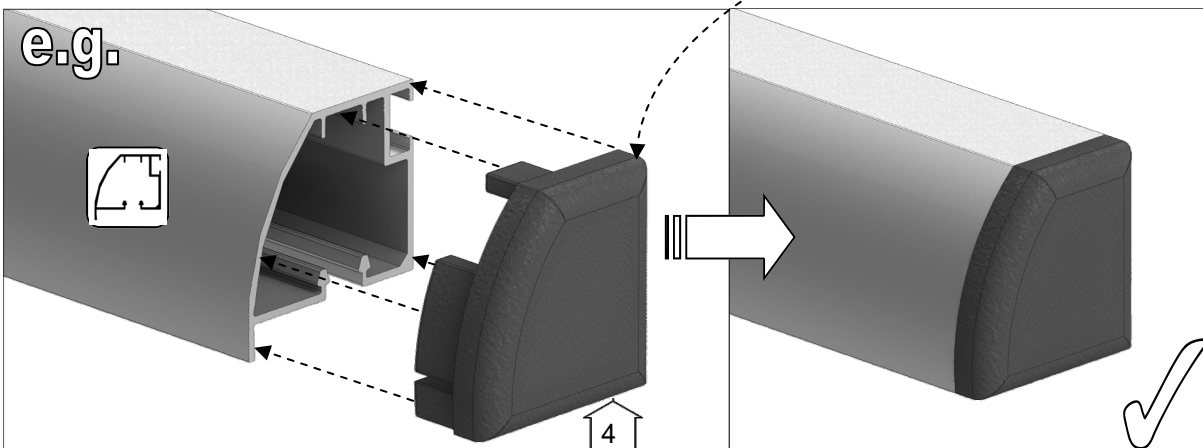
HE565 DOOR TRACK CAPS

TO BE FITTED AFTER DOORS ARE HUNG!

1. (st)

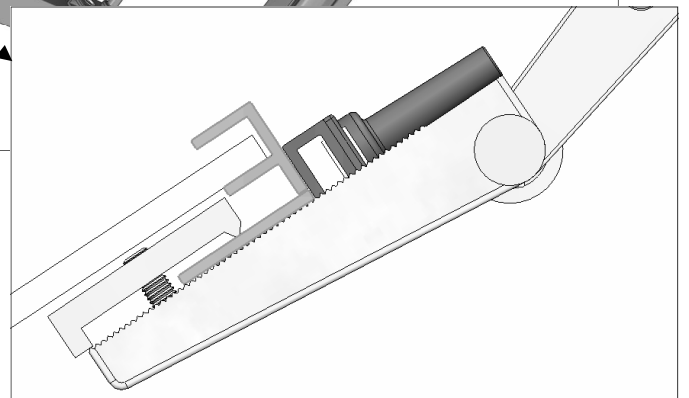
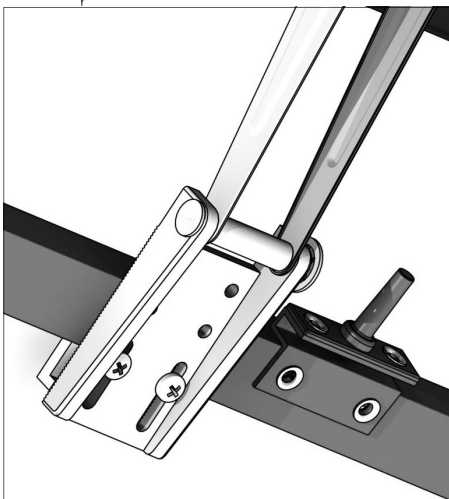
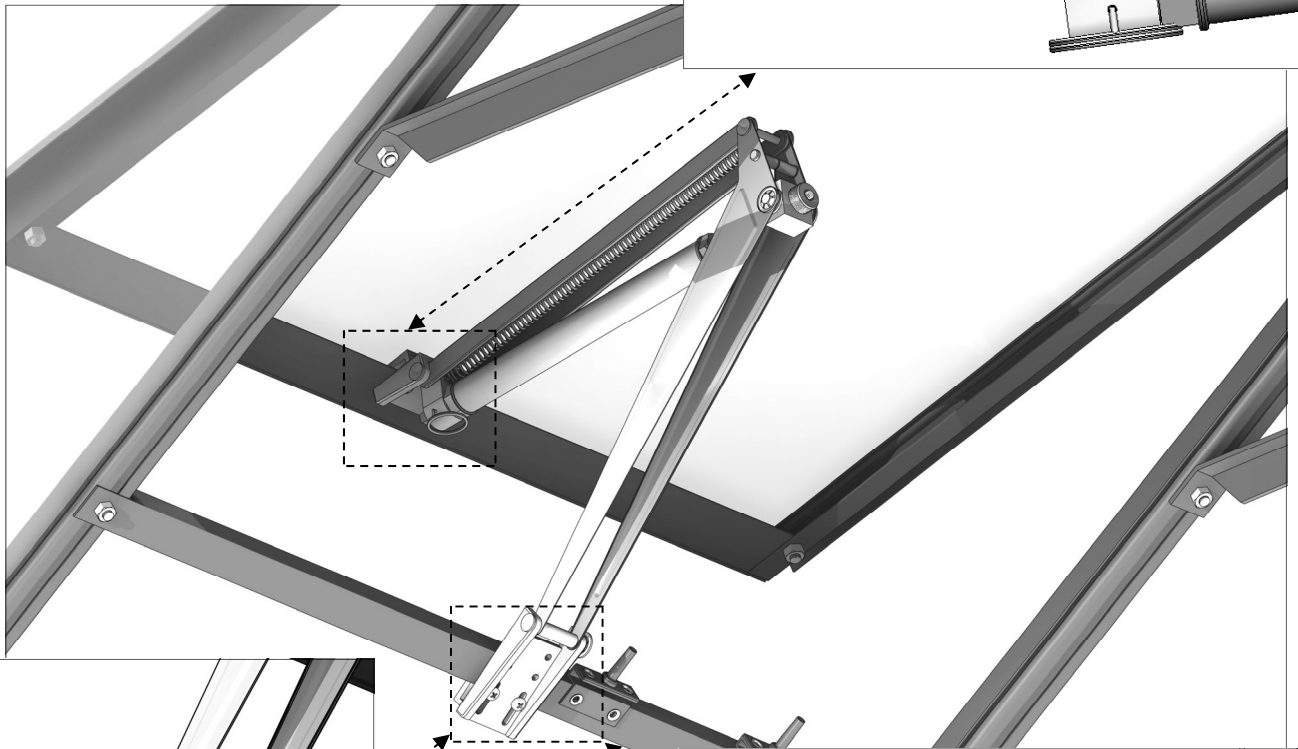
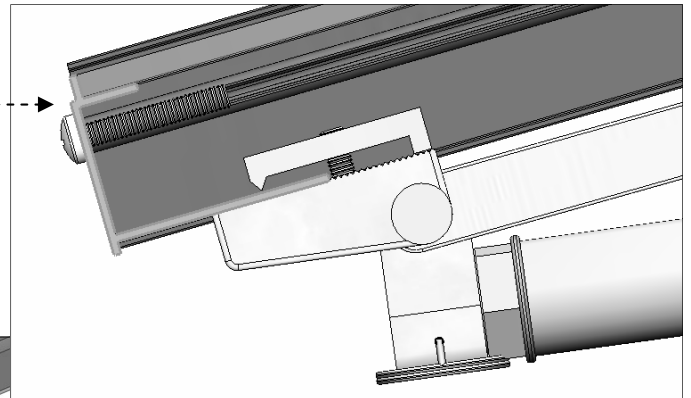
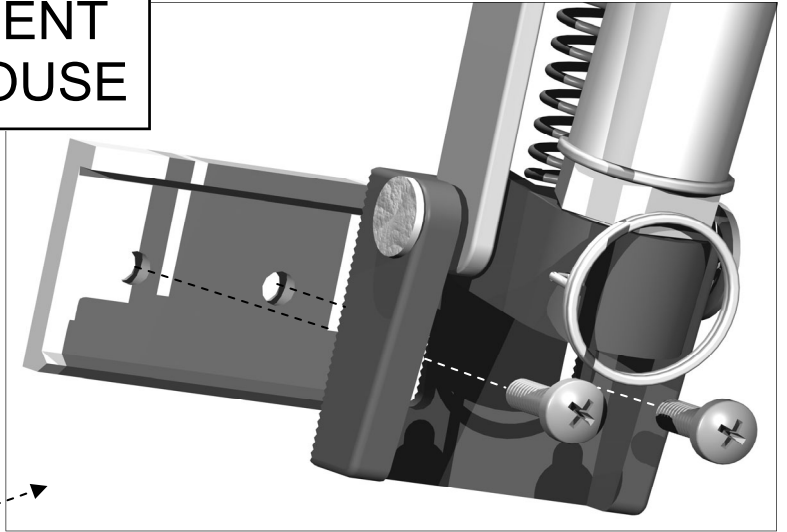
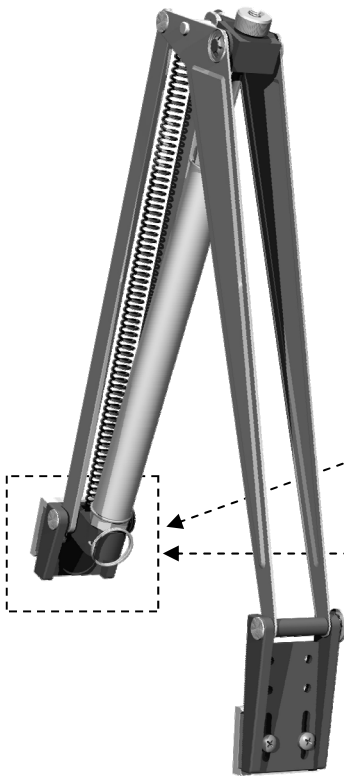


2. (nd)



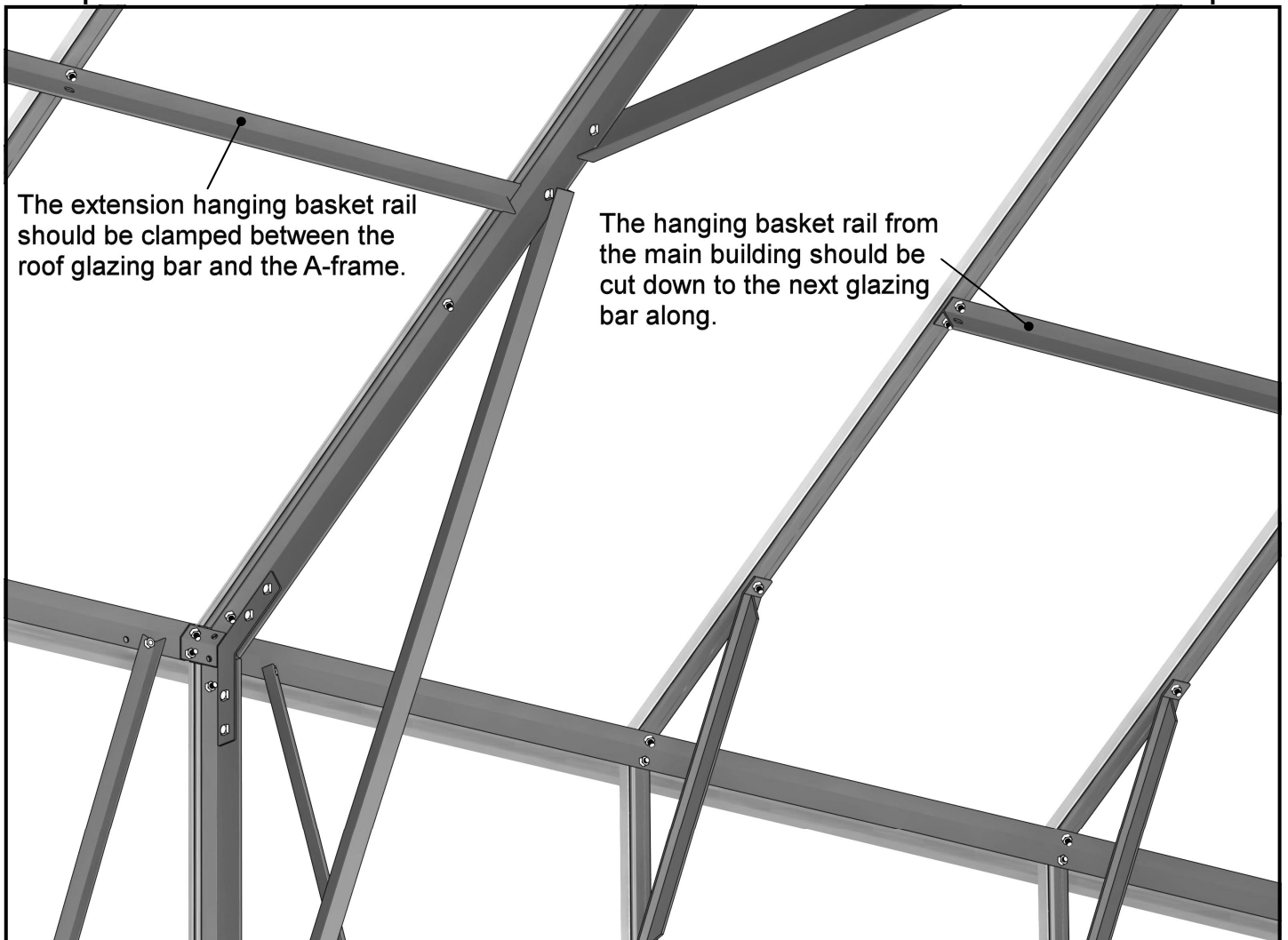
XL AUTOVENT ATTACHMENT TO HERCULES GREENHOUSE

Use the autovent clamps to pinch the autovents onto your frame.



HANGING BASKET RAILS IN RELATION TO AN A-FRAME

If you are fitting hanging basket bars to a building with an extension you will need to do the following. The main building's hanging basket bar will need to be cut down with a hacksaw to attach to the glazing bar in front of the A-frame. The extensions hanging basket bar is already notched out so that it can be clamped between the roof bar brace of the A-frame and the roof glazing bar. See the image bellow.

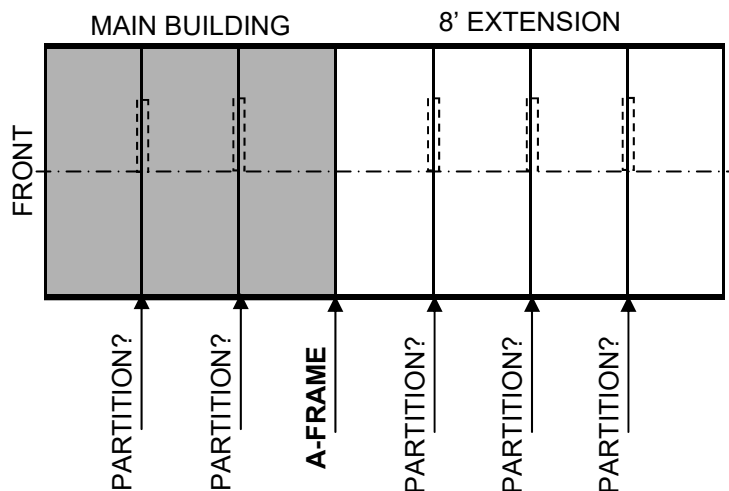


A-FRAMES AND PARTITIONS

Please be aware on buildings **longer than 12'** the **A-frame** supplied needs to be positioned where every extension join commences. Therefore if you are having a **partition** in your building it can NOT go on the join it will need to go 2' in front of the a-frame or 2' behind! Please also note that on a single door partition the door is **not central** to the building it is off to one side which may affect the location or width of your path.

All extensions are 8' long so for example on a 14' long building it consists of a 6' long building with an 8' extension. If you are adding a partition to a 14' building therefore it can NOT be fitted 6' from the front of the building, see diagram below.

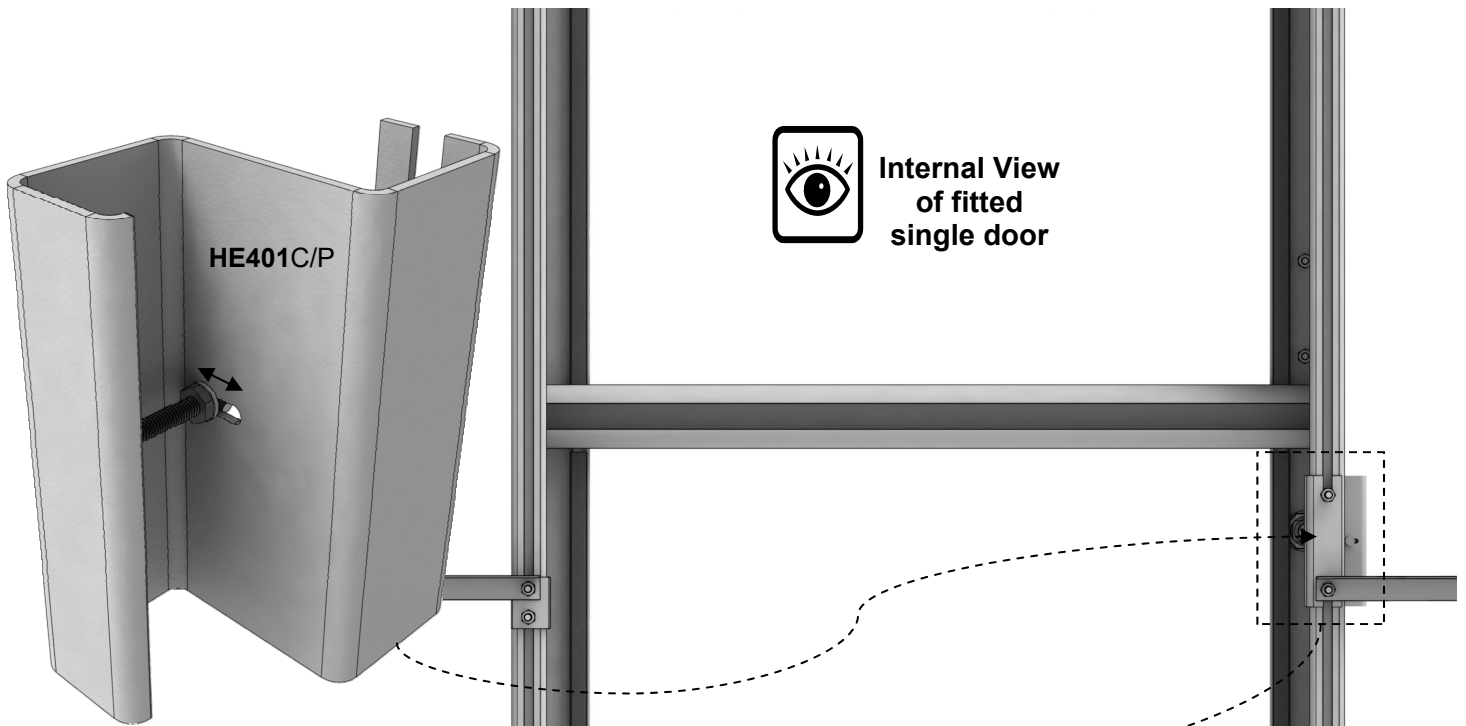
14' EXAMPLE SHOWN BELOW WITH A-FRAME AND PARTITION OPTIONS



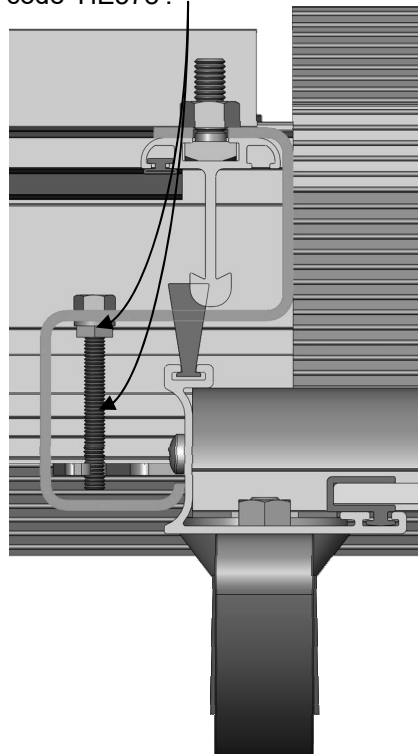
Other examples,

1. a 20' long building will consist of a 12' long building with an 8' long extension
2. a 22' long building will consist of an 6' long building with two 8' extensions

Trafalgar / Penrith door strike HE401 revision 2

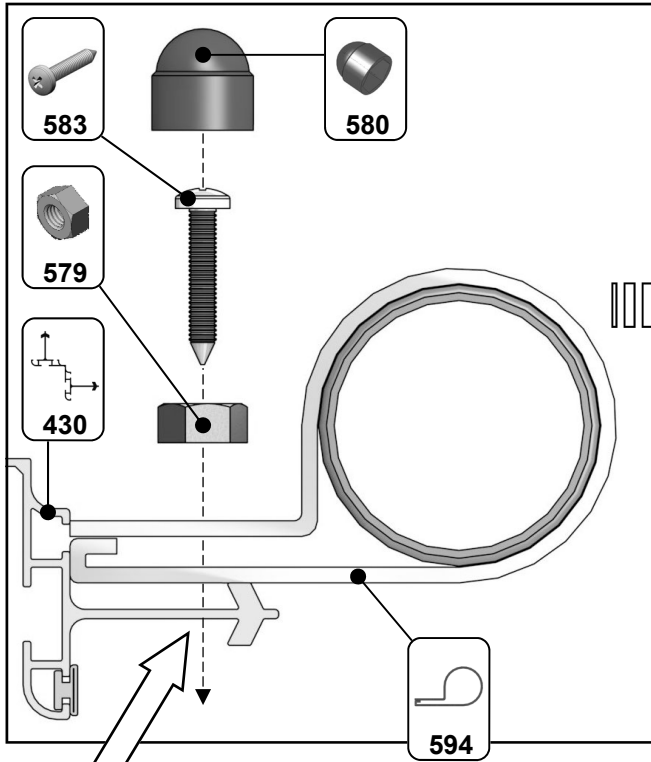


The HE401 (C/P) door strike should be fitted with a **35mm** long M4 bolt, code 'HE589' and an M4 lock nut, code 'HE578'.

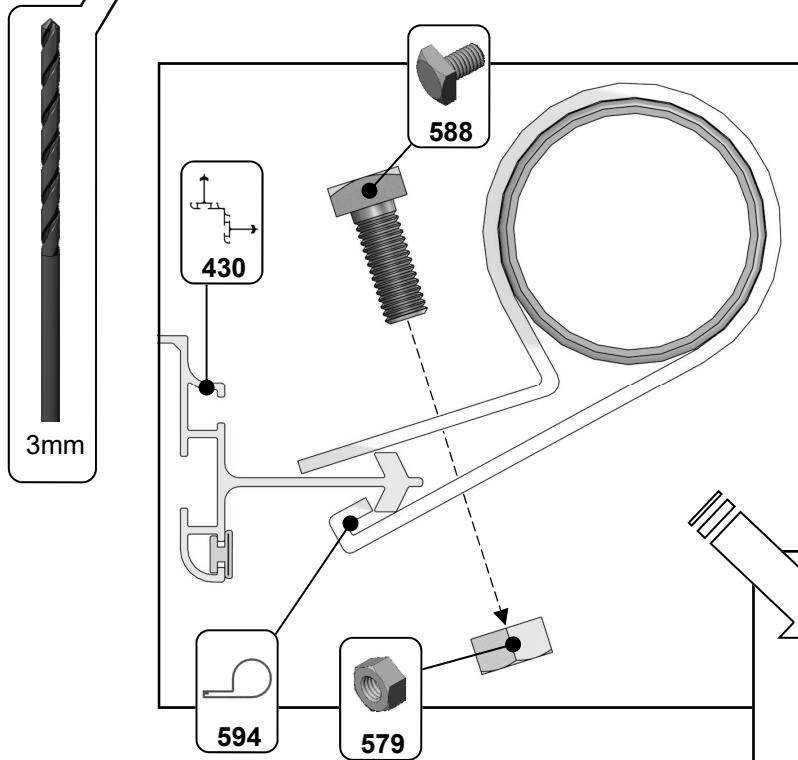
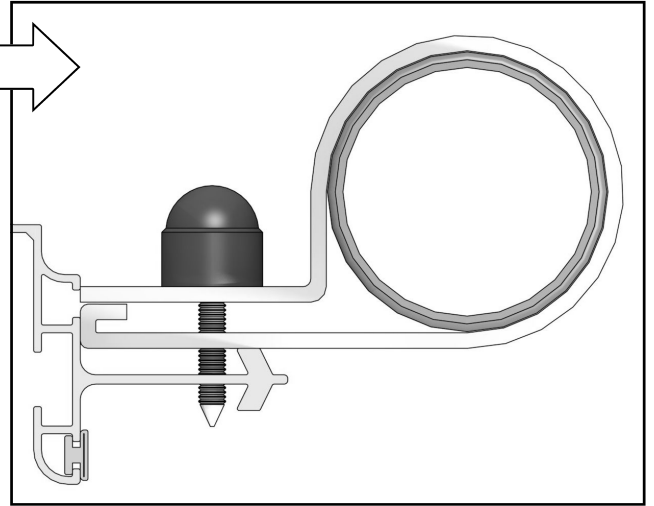


Downpipe Attachment

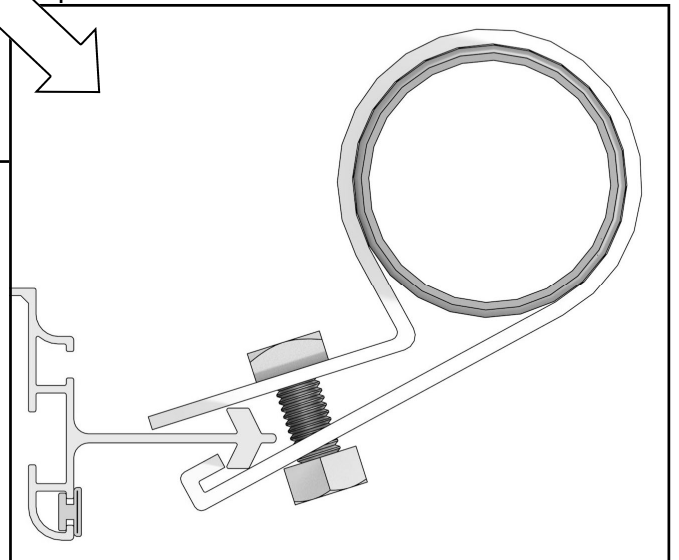
Choose one of the options for attaching your downpipes. It is entirely your preference, either method is as good as the other.



Option 1

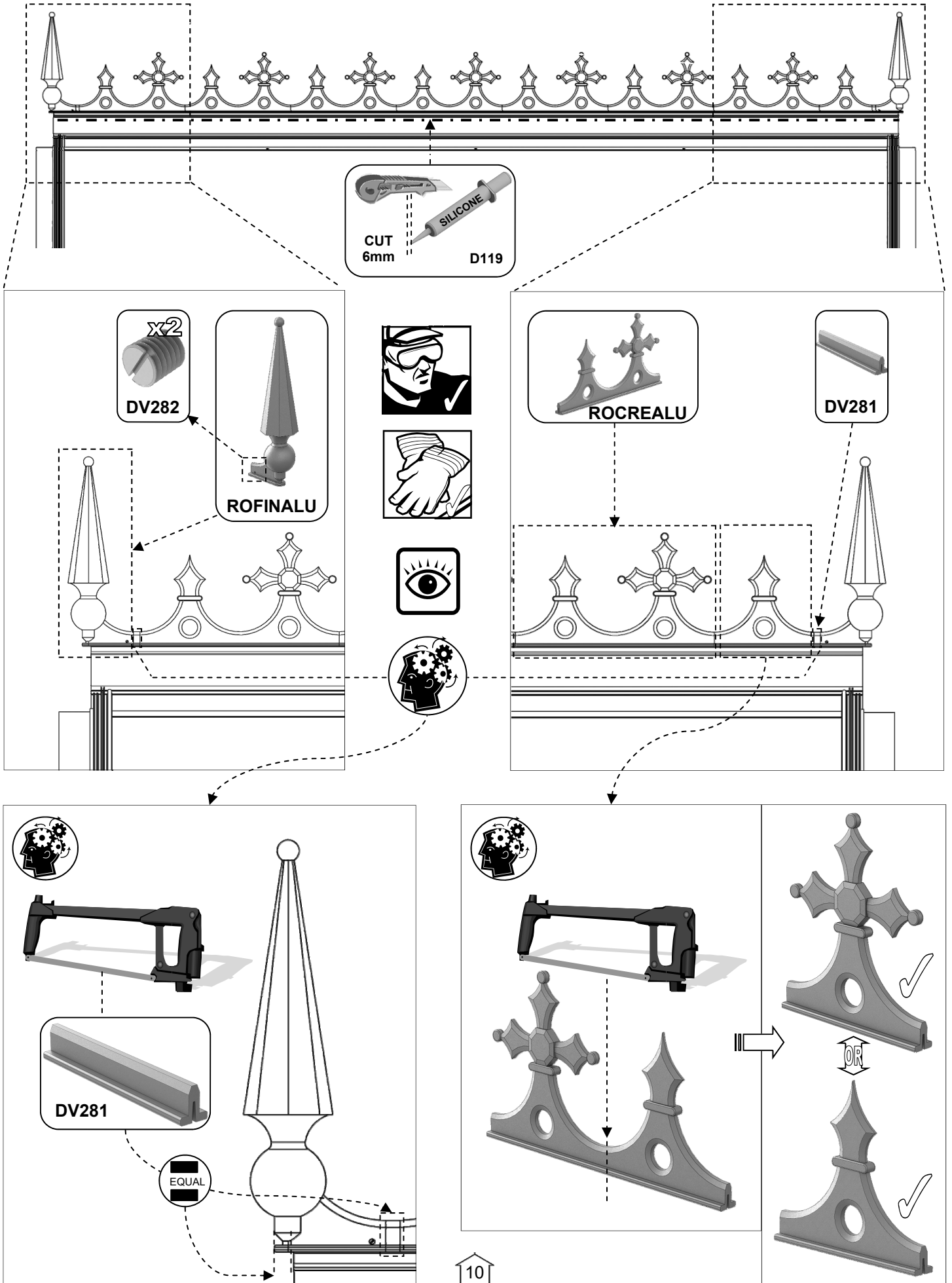


Option 2



OPTIONAL aluminium crestring = {

- End finials need to be pinched onto ridge using 'DV282' grub screws.
- Depending on your ridge length a half crestring may need to be cut or/ and some spacer bar 'DV281' cut into two equal sections.
- Each finial and crestring piece needs to be silenced 'D119' into place.



Optional Auto Louvre HELPSHEET

INSTALLATION INSTRUCTIONS:

Please note that the 'Auto Louvre' (AL) must be fitted to a assembled and glazed louvre situated in its final greenhouse location.

1. Remove the louvre handle by drilling through the rivets, marked A.
2. Remove the screw in the louvre operating handle, marked B leaving a hole ready for 'AL' attachment.
3. Check that your louvre opens and closes properly without rubbing on its frame. Oil any moving parts if necessary.
4. Close the louvre ready for marking out.
5. Hold your 'AL' up to its frame.
6. Check that the black plastic pivot pin (a) goes through the lower hole in the 'AL' arm. Attach the 'AL' to the louvre operating handle through the previously mentioned hole (step 2 above) using the plastic catch (b/c).
7. Push the 'AL' against the frame ensuring that its flush and square. The louvre should still be in the closed position. Mark the position for the holes on the louvre frame.
8. Drill the two 3mm holes which you have marked.
9. Use the screws provided, to screw the unit to the louvre frame.

OPERATING INSTRUCTIONS:

Please note adjustments CANNOT be made without operating the unit manually by pulling down on the louvre arm to relieve the return spring pressure.

After allowing the cylinder to reach the temperature at which you require the louvre to start opening operate the louvre manually by pulling down on the arm to remove the pressure and firmly turn the adjusting screw in the direction of the 'LO' arrow (clockwise) until the unit begins to move the louvre without manual assistance. Any rise in greenhouse temperature will now cause the louvre to open wider. Please note: Further adjustment may be necessary in which case repeat the process above.

Your 'AL' can be adjusted to operate at different temperatures by turning the adjusting screw (LO, clockwise / HI anti-clockwise). Remember to relieve pressure by pulling down the louvre arm making the turning easier.

MANUAL OVERRIDE:

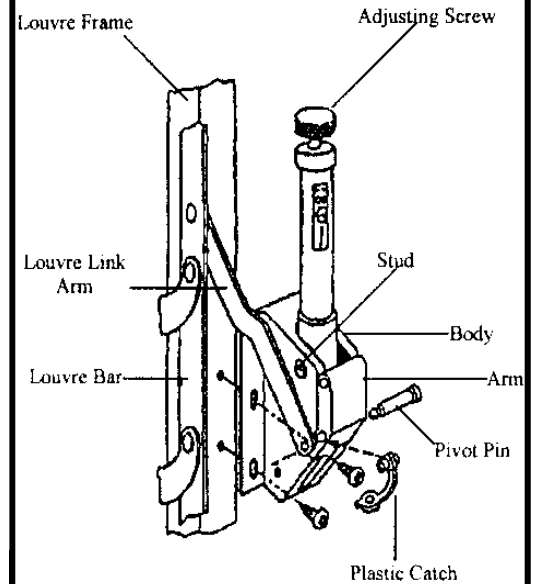
If you wish to open or close the louvre manually remove the top half of the plastic catch and carefully remove the link arm from the black plastic pivot pin. Providing you do not move the unit or the adjusting knob the unit will operate at your chosen temperature when reconnected.

TECHNICAL INFORMATION:

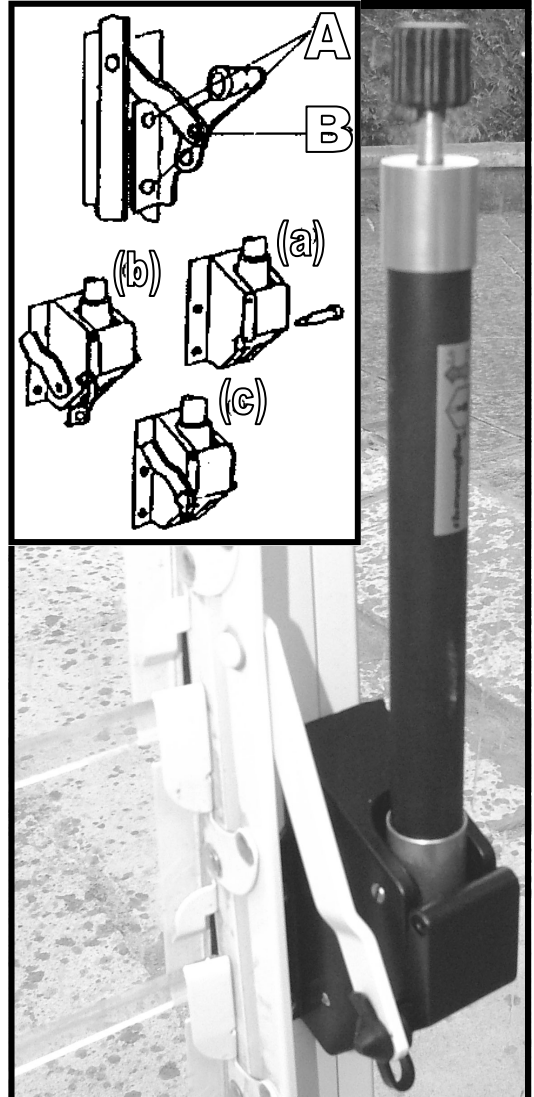
Opening temperature range adjustable between 15°C and 25°C (59°F and 77°F).

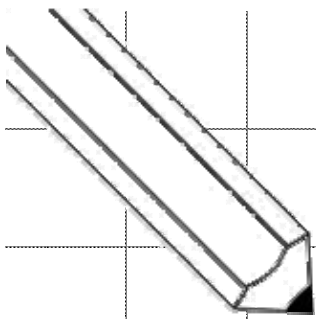
Do not heat the AL to more than 50°C (122°F).

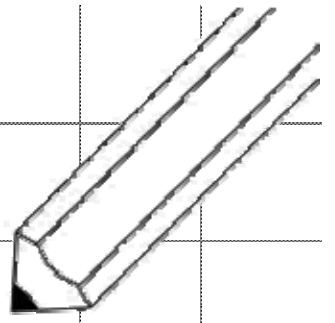
Do not apply excessive loads by locking or covering louvre.



Please note that on most louvre's you will have to drill two 3mm holes for the louvre fixings. It is not a case of using the newly exposed rivet holes.







BASE PREPARATION

You have quite a choice in terms of the style of base that you can prepare. The most important objective is that it is level. The different styles of bases that we recommend are as follows:

Note: Your greenhouse size is only nominal, for example a 6 X 8 greenhouse is not exactly 6' by 8'! It will actually be a few inches bigger. So be careful when building your base as mistakes on the size of your base are difficult to correct later. Also we don't recommend building your greenhouse directly onto soil.

1. **Slabs (our preferred method)** - Level paving slabs are ideal for a greenhouse base. Make sure the area of slabs is larger than the footprint of the greenhouse (see more details and photos in extra information booklet). Slabs are also good for drainage because of the joints between them. If you put a polythene sheet or similar barriers underneath, this could prevent drainage.

You can also lay your slabs out as a perimeter around the edge of the building with a path up the middle if you want to grow directly from the soil.

2. **Concrete Plinth** - This is a simple footing around the edge of the greenhouse. You can do this by digging a small trench about 4-6" deep by 6" wide. As with all bases ensure that it is level along the length as well as side to side. If you don't have a long level then you could use a long bar or straight piece of wood under your level to get a more accurate reading. This is probably the cheapest and easiest base to build which enables you to have soil inside so that you can grow straight from the ground.

3. **Solid Concrete** - This type of base is good from a structural point of view as you can get good fixings. It is also fine as far as drainage is concerned as long as the concrete is not sealed, painted or laid on a membrane.

Ways of increasing drainage are: When laying the concrete you could lay Aco drive drains to take surface water away or if the concrete is already laid you could simply drill through the concrete and create soakaways.

4. **Brick Base** - This is the traditional greenhouse base. It is usually 1 or 2 courses high but can be higher if required. This is a much more costly and difficult base to install. This is because you need to make a concrete footing first, then you need to lay the courses of bricks to the millimetre so that they fit the cill of the greenhouse perfectly.

However it does have an advantage, the cill overlaps the brick edge minimising water flow under the cill, which is important if you need to control the humidity and are using a de-humidifier etc.

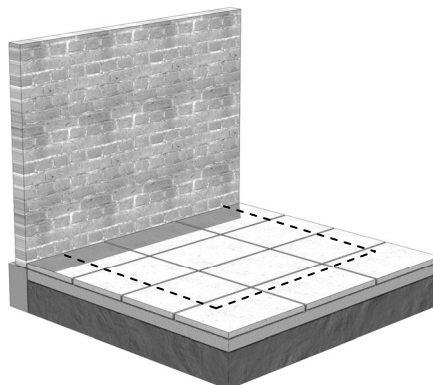
Important: Always use a completely solid engineering brick for the top layer with no holes or frogs (such as Staffordshire Blue). This is because you'll need to anchor your greenhouse down by drilling and screwing into the bricks and if they have holes in then this is extremely difficult. If you are doing more than one course then you can use bricks with holes or frogs lower down where it will not matter.

Two different styles of base that we don't recommend:

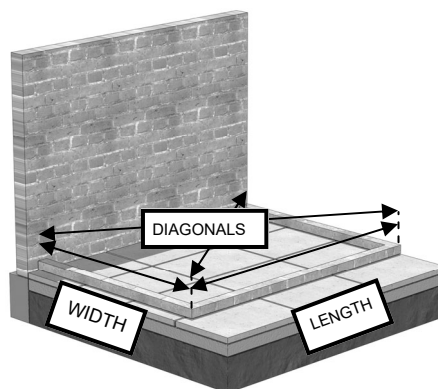
1. **Block Paving** - This is not an ideal base for a greenhouse. This is because when you screw your greenhouse down you will only be screwing into loose blocks, which will not be a strong enough fixing.
2. **Tarmac** - Again not ideal because of the anchoring problems, and it is much harder to get a level surface. However if you do want to put your greenhouse on tarmac, then the way to anchor it will be as on soil. You can dig out spade width holes where each base bracket will situate and fill these with concrete, let it set, then when your greenhouse is in position you can screw into the concrete.

LEAN-TO BASE PREPARATION

SLABS (recommended) / CONCRETE: More commonly if you are using a **slab** or a concrete base you would normally slab an area about 2' (610mm) larger than your greenhouse (i.e. 2' larger than the dimensions below in each direction giving a 1' perimeter around the building). This insets the fixing points away from the edge of the base and will give you a much stronger fixing point. This will also give you room for maintenance around your greenhouse. Example: a 6 x 8 might sit nicely on an 8 X 10 sized slab area.



BRICK PLINTH: The following tables give the exact external dimensions for the greenhouse **brickwork foot-print**. (i.e. if you are building a brick plinth the external face of the brick should be to these precise measurements). The brickwork will be **inset** from the cills so that they slightly overhang the bricks and allow the anchor brackets to locate more centrally on the top of the bricks surface. Therefore, the measurements below are **not** the exact overall dimensions of the building, they will in fact be a few 'mm's' longer and wider. Look for your building size in the left hand column and read across for the width and length.



When building any base make sure the diagonal measurements are equal and everything is level.

PLEASE USE 'mm' MEASUREMENTS ONLY!

Hastings / Warwick		
Nominal Size	Depth (mm)	Length (mm)
6 X 6	1942	2005
6 X 8	1942	2625
6 X 10	1942	3245
6 X 12	1942	3865
6 X 14	1942	4485
6 X 16	1942	5105
6 X 18	1942	5725
6 X 20	1942	6345
6 X 22	1942	6965
6 X 24	1942	7585
6 X 26	1942	8205
6 X 28	1942	8825
6 X 30	1942	9445

Bosworth / Winchester		
Nominal Size	Depth (mm)	Length (mm)
8 X 6	2562	2005
8 X 8	2562	2625
8 X 10	2562	3245
8 X 12	2562	3865
8 X 14	2562	4485
8 X 16	2562	5105
8 X 18	2562	5725
8 X 20	2562	6345
8 X 22	2562	6965
8 X 24	2562	7585
8 X 26	2562	8205
8 X 28	2562	8825
8 X 30	2562	9445

(For buildings larger than 30 foot long just add 620mm for every 2 foot increase)

Lean-to Ridge Height

Hastings / Warwick

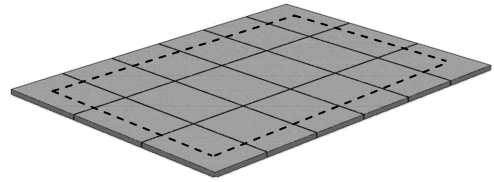
2495mm

Bosworth / Winchester

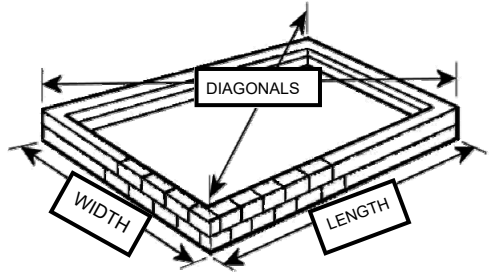
2639mm

BASE PREPARATION

SLABS (recommended) / CONCRETE: More commonly if you are using a **slab** or a concrete base you would normally slab an area about 2' (610mm) larger than your greenhouse (i.e. 2' larger than the dimensions below in each direction giving a 1' perimeter around the building). This insets the fixing points away from the edge of the base and will give you a much stronger fixing point. This will also give you room for maintenance around your greenhouse. Example: a 6 x 8 might sit nicely on an 8 X 10 sized slab area.



BRICK PLINTH: The following tables give the exact external dimensions for the greenhouse **brickwork footprint**. (i.e. if you are building a brick plinth the external face of the brick should be to these precise measurements). The brickwork will be **inset** from the cills so that they slightly overhang the bricks and allow the anchor brackets to locate more centrally on the top of the bricks surface. Therefore, the measurements below are **not** the exact overall dimensions of the building, they will in fact be a few 'mm's' longer and wider. Look for your building size in the left hand column and read across for the width and length.



When building any base make sure the diagonal measurements are equal and everything is level.

PLEASE USE 'mm' MEASUREMENTS ONLY!

Trafalgar / Chepstow		
Nominal Size	Width mm	Length mm
6 X 4	1955	1374
6 X 6	1955	1994
6 X 8	1955	2614
6 X 10	1955	3234
6 X 12	1955	3854
6 X 14	1955	4474
6 X 16	1955	5094
6 X 18	1955	5714
6 X 20	1955	6334
6 X 22	1955	6954
6 X 24	1955	7574
6 X 26	1955	8194
6 X 28	1955	8814
6 X 30	1955	9434

Blenheim / Richmond		
Nominal Size	Width mm	Length mm
8 X 6	2575	1994
8 X 8	2575	2614
8 X 10	2575	3234
8 X 12	2575	3854
8 X 14	2575	4474
8 X 16	2575	5094
8 X 18	2575	5714
8 X 20	2575	6334
8 X 22	2575	6954
8 X 24	2575	7574
8 X 26	2575	8194
8 X 28	2575	8814
8 X 30	2575	9434

Naseby / Rochester		
Nominal Size	Width mm	Length mm
10 X 6	3195	1994
10 X 8	3195	2614
10 X 10	3195	3234
10 X 12	3195	3854
10 X 14	3195	4474
10 X 16	3195	5094
10 X 18	3195	5714
10 X 20	3195	6334
10 X 22	3195	6954
10 X 24	3195	7574
10 X 26	3195	8194
10 X 28	3195	8814
10 X 30	3195	9434

Please note that buildings longer than 12' in length are modular and will utilise an 8' extension and A-frame at each join. E.g.: a 14' long building will be a 6' main module with an 8' extension. A 36' = 12 + 8 + 8 + 8.
(For buildings larger than 30 foot long just add 620mm for every 2 foot increase)